



Titre / Title

HIGH RELIABILITY

RF COAXIAL CONNECTORS

TNC TYPE, 50 OHMS

(FEMALE CONTACT)

Rédigé par / Written by	Responsabilité / Responsibility	Date	Signature
S. POIZAT	Space Project Manager	03/07/2019	
Vérifié par / Verified by			
V EUDELINÉ	Space B. U. Manager	03/07/2019	
Approuvée par / Approved by			
C DUMORTIER	Space Quality Manager	03/07/2019	

DOCUMENTATION CHANGE NOTICE

REVISION OR ISSUE	DATE	CHANGE
1 -	14/10/04	First issue
1 A	22/04/05	Add Radiall P/N in table 7 (R143413691)
1 B	16/06/06	Add Radiall P/N in table 7 (R143414601)
1 C	22/09/06	Add Radiall P/N in table 7 (R143414614)
2 -	17/04/07	Add Category V Power Handling Curve and Table 7 replaced by the detail specification RAD-LIS-CONN-001
2 A	07/08/2015	Updated to correct Figure2 (a) of High Power version with: - Add note -
2 B	03/07/2019	Updated to indicate that the material and finish for each connectors are detailed in the Technical Data Sheet (§4.4)



	DETAIL SPECIFICATION		
	REF. : RAD-DET-CONN-015		
	Date: July 3 rd , 19	ED/REV: 2/B	PAGE : 3/ 23

TABLE OF CONTENTS

1. GENERAL	5
1.1 SCOPE	5
1.2 TYPE VARIANTS	5
1.3 MAXIMUM RATINGS	5
1.4 POWER DERATING INFORMATION (FIGURE 1)	5
1.5 PHYSICAL DIMENSIONS	5
1.6 STANDARD TEST CONNECTOR INTERFACE	5
2. APPLICABLE DOCUMENTS	15
3. TERMS, DEFINITIONS, ABBREVIATIONS, SYMBOLS AND UNITS	15
4. REQUIREMENTS	15
4.1 GENERAL	15
4.2 DEVIATIONS FROM GENERIC SPECIFICATION	15
4.2.1 <i>Deviations from Special In-Process Controls</i>	15
4.2.2 <i>Deviations from Final production Tests (Chart II)</i>	15
4.2.3 <i>Deviations from Qualification Tests (Chart IV)</i>	15
4.2.4 <i>Deviations from Lot Acceptance Tests (Chart V)</i>	15
4.3 MECHANICAL REQUIREMENTS	15
4.3.1 <i>Dimension Check</i>	15
4.3.2 <i>Weight</i>	16
4.3.3 <i>Coupling Proof Torque</i>	16
4.3.4 <i>Cable Retention Force</i>	16
4.3.5 <i>Mating and Unmating Forces</i>	16
4.3.6 <i>Endurance</i>	16
4.3.7 <i>Residual Magnetism</i>	16
4.3.8 <i>Contact Engagement and Separation Forces</i>	16
4.3.9 <i>Contact Retention</i>	17
4.4 MATERIALS AND FINISHES	17
4.4.1 <i>Standard types (given for information)</i>	18
4.4.2 <i>Amagnetic type (given for information)</i>	18
4.5 MARKING	18
4.5.1 <i>General</i>	18
4.5.2 <i>The RADIALL Component Number</i>	18
4.5.3 <i>Traceability Information</i>	18
4.5.4 <i>Marking of Small Components</i>	19
4.6 ELECTRICAL MEASUREMENTS	19
4.6.1 <i>Electrical Measurements at Room Temperature</i>	19
4.6.2 <i>Electrical Measurements at High and Low Temperatures (Table 3)</i>	19
4.6.3 <i>Circuits for Electrical Measurements</i>	19
4.7 BURN-IN TEST (TABLES 4 AND 5)	19
4.8 ENVIRONMENTAL AND ENDURANCE TESTS	20
4.8.1 <i>Measurements and Inspections on Completion of Environmental Tests</i>	20
4.8.2 <i>Measurements and Inspections at Intermediate Points during Endurance Tests</i>	20
4.8.3 <i>Measurements and Inspections on Completion of Endurance Tests</i>	20
4.8.4 <i>Conditions for Operating Life Tests (Part of Endurance Testing)</i>	20
4.8.5 <i>Electrical Circuits for Operating Life Tests</i>	20
4.8.6 <i>Conditions for High Temperature Storage Test (Part of Endurance Testing)</i>	20

	DETAIL SPECIFICATION	
	REF. : RAD-DET-CONN-015	
	Date: July 3 rd , 19	ED/REV: 2/B

LIST OF TABLES

Table 1 (a) – TYPE VARIANTS..... 6

Table 1 (b)- MAXIMUM RATINGS..... 6

Table 2 – ELECTRICAL MEASUREMENTS AT ROOM TEMPERATURE..... 19

Table 3 - ELECTRICAL MEASUREMENTS AT HIGH AND LOW TEMPERATURES (Not applicable)... 19

Tables 4 and 5 – BURN-IN TEST (Not applicable) 19

Table 6 – MEASUREMENTS AND INSPECTIONS ON COMPLETION OF ENVIRONMENTAL AND ENDURANCE TESTS..... 21

Table 7 - LIST OF PART NUMBERS WITH APPLICABLE POWER HANDLING CATEGORY..... 23

LIST OF FIGURES

FIGURE 1 – POWER DERATING INFORMATION.....7

Figure 1 (a) – Power Versus Frequency.....7


Figure 1 (b) – Power Versus Temperature.....8

FIGURE 2 – PHYSICAL DIMENSIONS.....9

Figure 2 (a) – Connector Interface – Male contact.....10

FIGURE 3 – STANDARD TEST CONNECTOR INTERFACE – Female Contact.....13

FIGURE 4 – TEST PIN CONFIGURATION.....17

	DETAIL SPECIFICATION		
	REF. : RAD-DET-CONN-015		
	Date: July 3 rd , 19	ED/REV: 2/B	PAGE : 5/ 23

1. GENERAL

1.1 SCOPE

This specification details the ratings, physical and electrical characteristics, test and inspection data for RF Coaxial connectors, Type TNC, 50 Ohms (Female contact). It shall be read in conjunction with RADIALL Generic Specification RAD-GEN-CONN-001, the requirements of which are supplemented herein.

1.2 TYPE VARIANTS

For each type variant, the full electrical and physical characteristics are given in individual technical data sheet.

1.3 MAXIMUM RATINGS

The maximum ratings, which shall not be exceeded at any time during use or storage, applicable to the connectors specified herein, are as scheduled in Table 1(b).

1.4 POWER DERATING INFORMATION (FIGURE 1)

The power derating information applicable to the connectors specified herein is shown in Figure 1.

1.5 PHYSICAL DIMENSIONS

The physical dimensions of the connectors specified herein are shown in Figure 2(a) and technical data sheet.

1.6 STANDARD TEST CONNECTOR INTERFACE

Whenever gauges are required for mating with the connectors under test, their physical dimensions shall be in accordance with those specified in Figure 3.

Table 1 (a) – TYPE VARIANTS

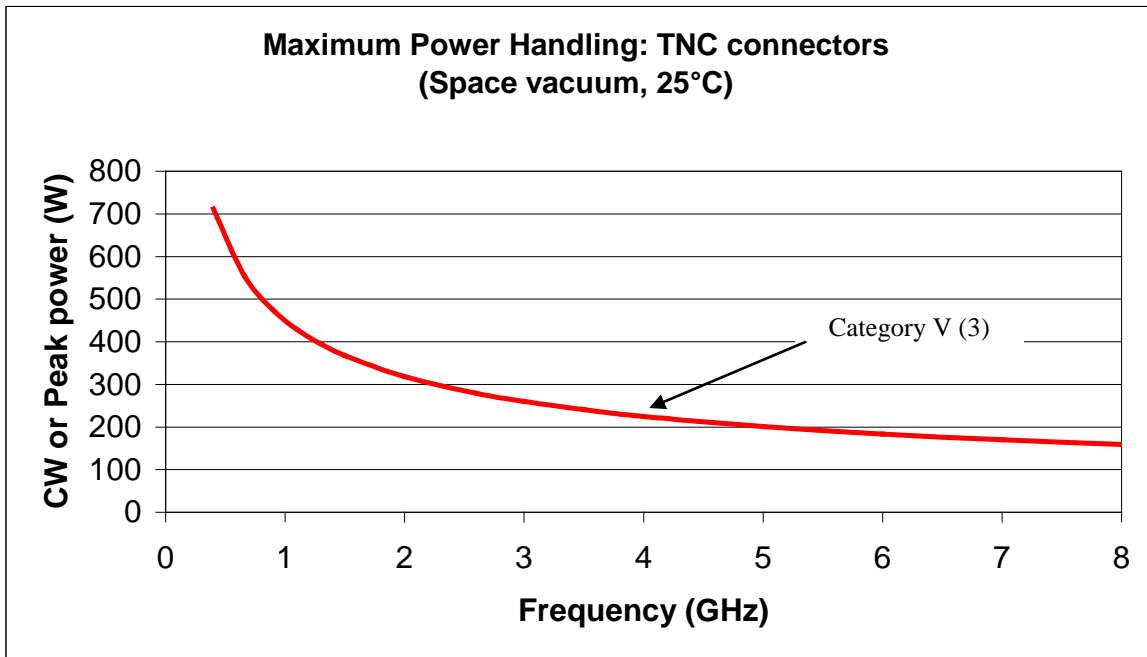
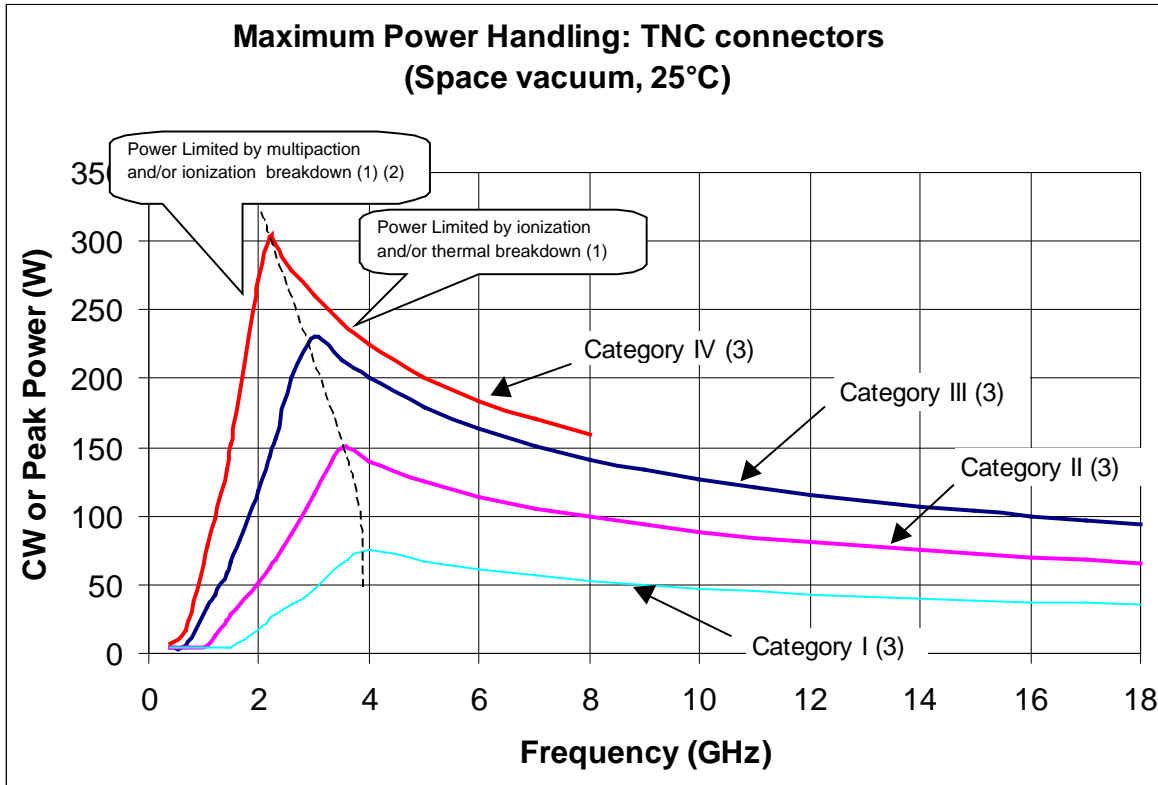
(See RADIALL technical data sheets)

Table 1 (b)- MAXIMUM RATINGS

N°	CHARACTERISTICS	SYMBOL	MAXIMUM RATINGS	UNIT	REMARKS
1	Power	P	See figures 1 (a) and 1 (b)	W	For information
2	Nominal impedance	Z	50	Ω	-
3	Frequency Range	f	See technical data sheet	GHz	-
4	Dielectric Withstanding Voltage at ambient pressure	V _{dw}	See technical data sheet	V _{rms}	At sea level
5	Dielectric Withstanding Voltage at low pressure	V _{lp}	10% of V _{dw}	V _{rms}	At 44 mb
6	Rated Operating Voltage	V _{op}	50% of V _{dw}	V _{rms}	
7	Corona Level	V _{co}	8,5% of V _{dw}	V _{rms}	-
8	Operating Temperature Range	T _{op}	See technical data sheet	°C	-
9	Storage Temperature Range	T _{stg}	As per Operating Temperature Range	°C	-

FIGURE 1 - POWER DERATING INFORMATION

FIGURE 1(a) POWER VERSUS FREQUENCY



Notes:

- 1: Load VSWR is better than 1.30:1
- 2: The part of the curve limited by multipaction takes into account a 6 dB margin as recommended by ESA.
- 3: See Table 7 to know applicability of power handling categories to the different part numbers. Corona effect is not taken into account, assuming enough outgassing time in space vacuum conditions to prevent the risk to have critical pressure conditions.

FIGURE 1(b) POWER VERSUS TEMPERATURE

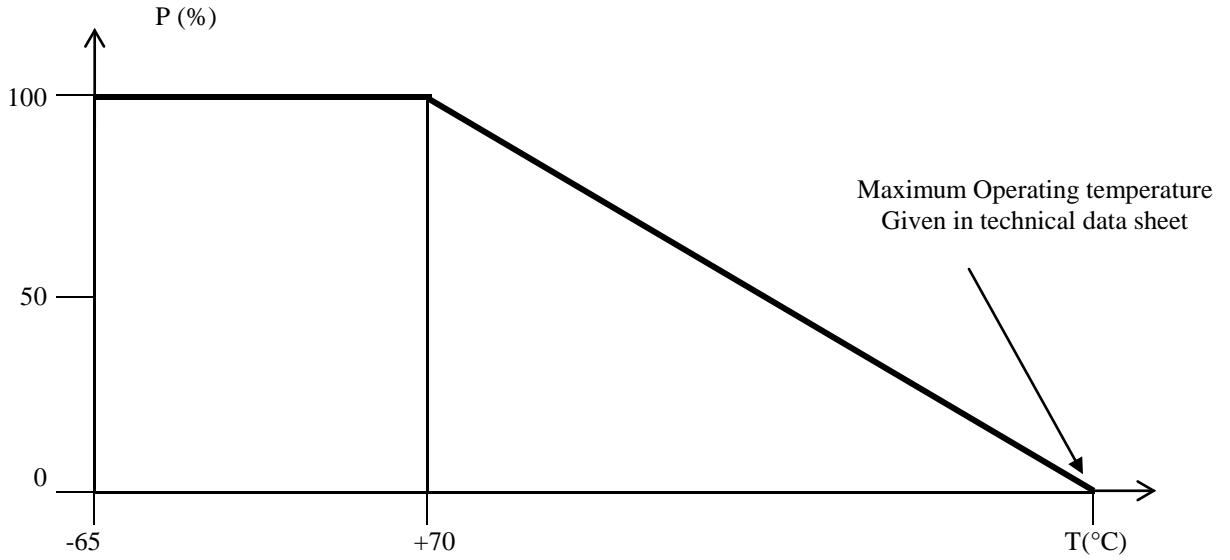
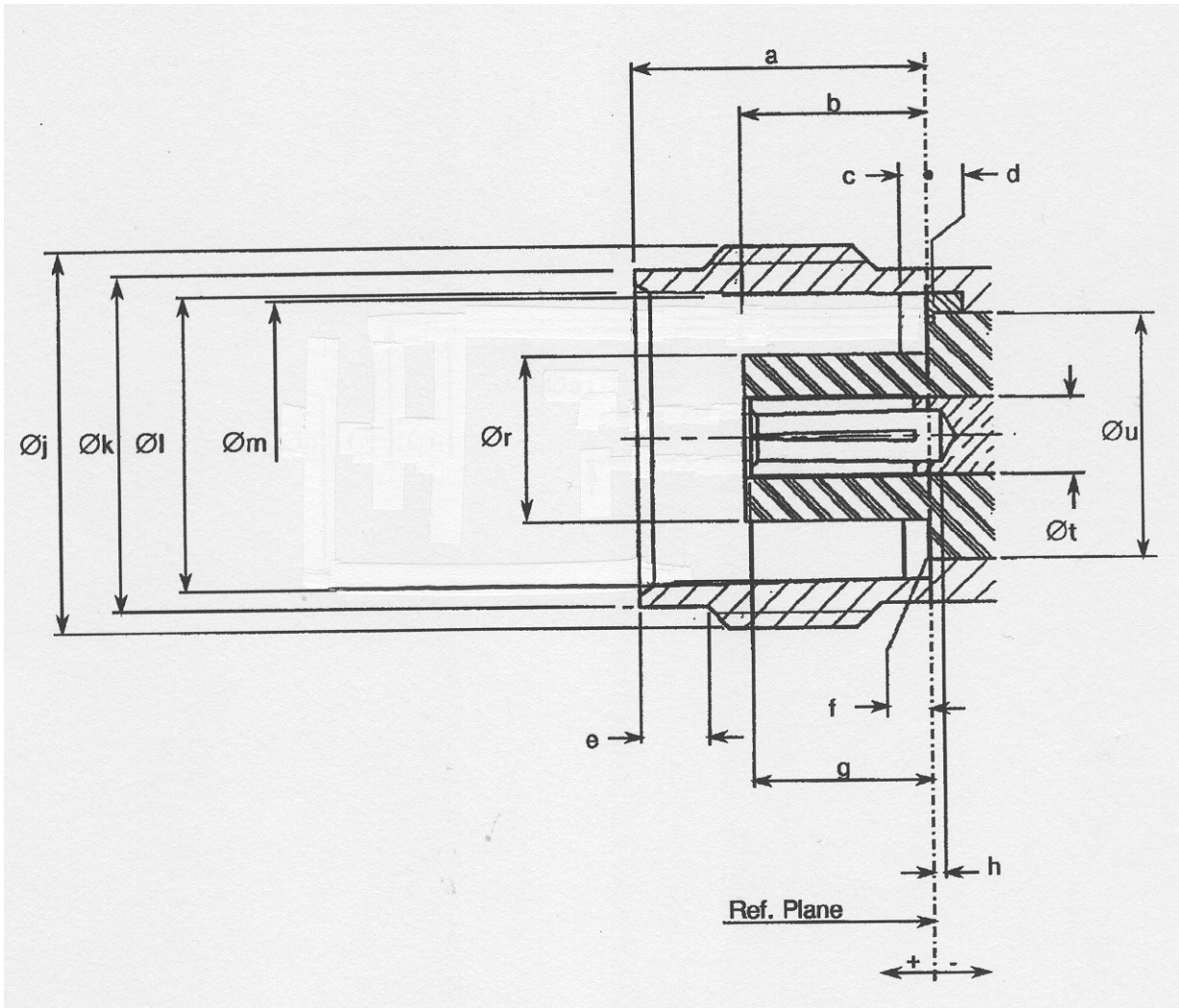


FIGURE 2 - PHYSICAL DIMENSIONS

FIGURE 2(a) CONNECTOR INTERFACE FEMALE CONTACT
(Frequency range DC/18 GHz)




	DETAIL SPECIFICATION		
	REF. : RAD-DET-CONN-015		
	Date: July 3 rd , 19	ED/REV: 2/B	PAGE : 10/ 23

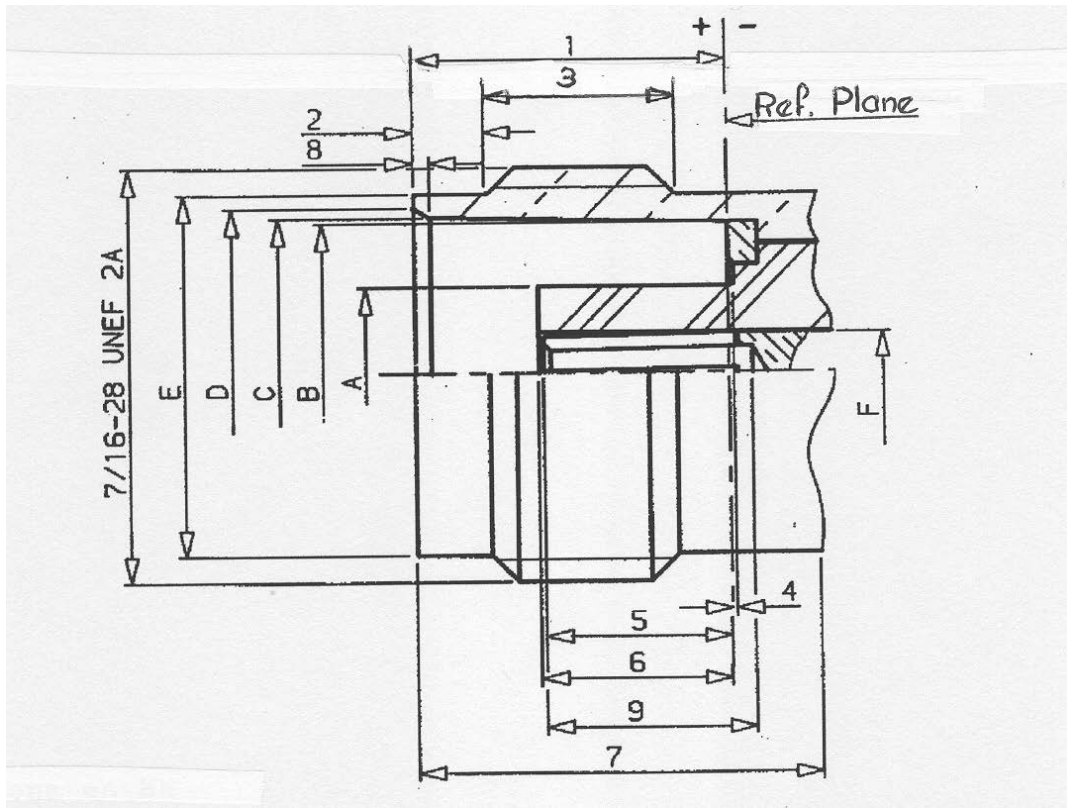
FIGURE 2 – PHYSICAL DIMENSIONS (CONTINUED)

FIGURE 2(a) – CONNECTOR INTERFACE, FEMALE CONTACT (CONTINUED)
(Frequency range DC/18 GHz)

SYMBOL	MILLIMETRES		NOTES
	MIN.	MAX.	
a	8.36	8.46	
b	5.18	5.28	
c	0.48	1.02	
d	0.17	0.23	
e	1.80	2.20	
f	-0.1	+0.05	
g	4.98	5.23	
h	-0.72	+0.03	
Øj	7/16.28 UNEF 2A		
Øk	9.61	9.68	
Øl	8.32	8.46	
Øm	8.10	8.15	
Ør	4.68	4.72	
Øt	2.14	2.18	
Øu	6.975	7.025	

FIGURE 2 – PHYSICAL DIMENSIONS (CONTINUED)

FIGURE 2(a) – CONNECTOR INTERFACE, FEMALE CONTACT (CONTINUED)
(Frequency range DC/11 GHz)




	DETAIL SPECIFICATION		
	REF. : RAD-DET-CONN-015		
	Date: July 3 rd , 19	ED/REV: 2/B	PAGE : 12/ 23

FIGURE 2 – PHYSICAL DIMENSIONS (CONTINUED)

FIGURE 2(a) – CONNECTOR INTERFACE, FEMALE CONTACT (CONTINUED)

(Frequency range DC/11 GHz)

And

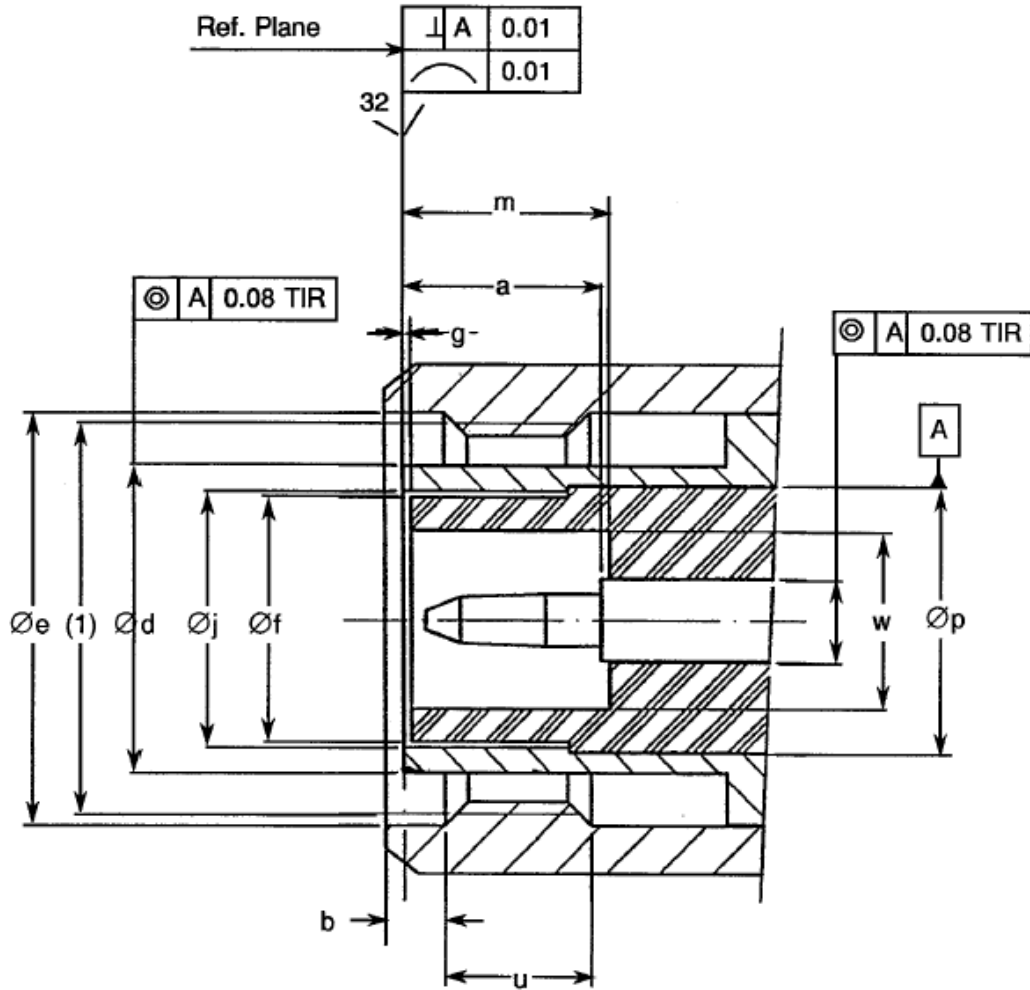
HIGH POWER VERSION

(Frequency range DC/8 GHz)

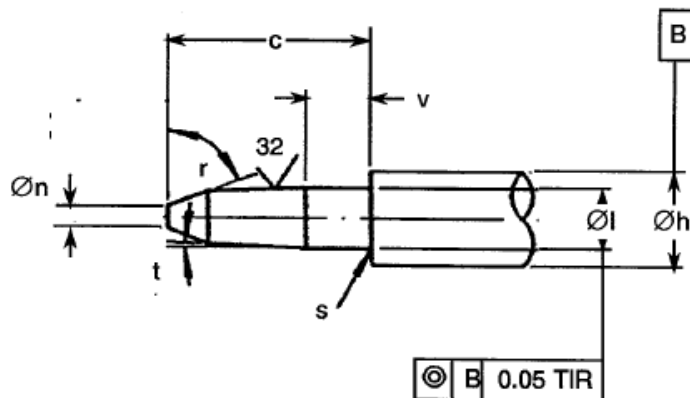
SYMBOL	MILLIMETRES		NOTES
	MIN.	MAX.	
1	8.30	8.50	
2	1.80	2.20	
3	4.75	5.25	
4	-0.25	+0.05	
5	4.72	5.22	
6	4.78	5.28	
7	10.70	10.90	
8	0.45	0.75	
9	5.30	5.90	
ØA	4.62	4.72	
ØB	8.10	8.15	
ØC	8.32	8.46	
ØD	8.80	9.00	
ØE	9.60	9.67	
ØF	2.16	2.20	Note 1

Note 1: This value could be adjust at another diameter in function of the internal design of the connector to adjust the impedance of it at 50Ω

FIGURE 3 – STANDARD TEST CONNECTOR INTERFACE – MALE CONTACT



Detail of inner Contact





	DETAIL SPECIFICATION		
	REF. : RAD-DET-CONN-015		
	Date: July 3 rd , 19	ED/REV: 2/B	PAGE : 14/ 23

FIGURE 3 – STANDARD TEST CONNECTOR INTERFACE – MALE CONTACT (CONTINUED)

SYMBOL	MILLIMETRES		NOTES
	MIN.	MAX.	
a	5.31	5.38	
b	1.60	-	
c	4.62	4.88	
Ød	8.06	8.09	
Øe	11.18	-	
Øf	6.60	6.65	
g	0.15	0.30	
Øh	2.16	2.18	
Øj	6.72	6.74	
Øℓ	1.35	1.37	
m	5.38	5.54	
Øp	6.99	7.01	
r	55°	65°	
s	-	0.13	Radius
t	1°	3°	
u	3.96	-	Full thread
v	1.40	1.65	
Øw	4.88	4.93	

	DETAIL SPECIFICATION		
	REF. : RAD-DET-CONN-015		
	Date: July 3 rd , 19	ED/REV: 2/B	PAGE : 15/ 23

2. APPLICABLE DOCUMENTS

The following documents form part of this specification and shall be read in conjunction with it :

- (a) RADIALL Generic Specification RAD-GEN-CONN-001 for RF Coaxial Connectors.
- (b) MIL G.45204 Gold plating Electrodeposited.
- (c) MIL PRF. 39012 Connectors Coaxial RF General Specification for.

3. TERMS, DEFINITIONS, ABBREVIATIONS, SYMBOLS AND UNITS

For the purpose of this specification, the terms, definitions, abbreviations, symbols and units specified in ESA/SCC Basic specification N° 21300 shall apply.

In addition the following shall apply:

- V_{dw} Dielectric Withstanding Voltage at ambient pressure (sea level)
- V_{lp} Dielectric Withstanding Voltage at low pressure (44 mb)
- V_{co} Corona Level Voltage
- R_i Insulation Resistance
- I_L Leakage Current

4. REQUIREMENTS

4.1 GENERAL

The complete requirement for procurement of the connectors specified herein are stated in this specification and RADIALL Generic Specification RAD-GEN-CONN-001 Deviations from the Generic Specification applicable to this specification only, are listed in Para.4.2.

Deviations from the applicable Generic Specification and this Detail Specification do not affect the components' reliability, are listed in the appendices attached to this specification.

4.2 DEVIATIONS FROM GENERIC SPECIFICATION

4.2.1 Deviations from Special In-Process Controls

None.

4.2.2 Deviations from Final production Tests (Chart II)

The tests "Change of temperature", "Insulation Resistance", "Voltage proof" are not applicable for variants delivered with unmounted contact and insulator.

4.2.3 Deviations from Qualification Tests (Chart IV)

None.


4.2.4 Deviations from Lot Acceptance Tests (Chart V)

None.

4.3 MECHANICAL REQUIREMENTS

4.3.1 Dimension Check

The dimensions of the connectors specified herein shall be verified in accordance with the requirements set out in Para.9.25 of RADIALL Generic Specification RAD-GEN-CONN-001 and shall conform to those shown in Figures 2(a) and in technical data sheet.

	DETAIL SPECIFICATION		
	REF. : RAD-DET-CONN-015		
	Date: July 3 rd , 19	ED/REV: 2/B	PAGE : 16/ 23

4.3.2 Weight

The maximum weight of the connectors specified herein shall be as specified in technical data sheet.

4.3.3 Coupling Proof Torque

The requirements for testing of the coupling proof torque are specified in Section 9 of RADIALL Generic Specification RAD-GEN-CONN-001. The applied torque shall be 339N.cm.

4.3.4 Cable Retention Force

The requirements for testing of the cable retention force are specified in Section 9 of RADIALL Generic Specification RAD-GEN-CONN-001. The technical data sheet specifies the values for axial loads. Torque shall be applied as follows :

4.3.4.1 Flexible Cables

Flexible cables shall be rotated 180° in both directions.

Rotational movement shall be applied at 15 cm from the connector.

4.3.4.2 Semi-rigid Cables

The torque value shall be as follows:

RG 405/U: 11.28N.cm.

RG 402/U: 38.85N.cm.

RG 401/U: 38.85N.cm.

4.3.5 Mating and Unmating Forces

The applicable measurement requirements are specified in Section 9 of RADIALL Generic Specification RAD-GEN-CONN-001. The maximum torque during mating and unmating shall not exceed 22.6 N.cm.

Whenever a test is performed on mated pairs of connectors, the pairs shall be torqued at 265 N.cm.

4.3.6 Endurance

The applicable test requirements are specified in Section 9 of RADIALL Generic Specification RAD-GEN-CONN-001. The test conditions shall be as follows :

(a) Number of cycles : 500 for qualification ; 100 for lot acceptance

(b) Rate : 12 cycles maximum/minute.

4.3.7 Residual Magnetism

Not applicable.

Residual magnetism is not applicable to stainless steel versions, and Beryllium copper Nickel underplate version.

4.3.8 Contact Engagement and Separation Forces


The requirements for these measurements are specified in Section 9 of RADIALL Generic Specification RAD-GEN-CONN-001 and apply to female contacts only.

(a) Oversize Pin

Steel test pin diameter : 1.384 / 1.388 mm.

Insertion depth : 2.0 / 2.5 mm.

Number of insertions : 3.

	DETAIL SPECIFICATION		
	REF. : RAD-DET-CONN-015		
	Date: July 3 rd , 19	ED/REV: 2/B	PAGE : 17/ 23

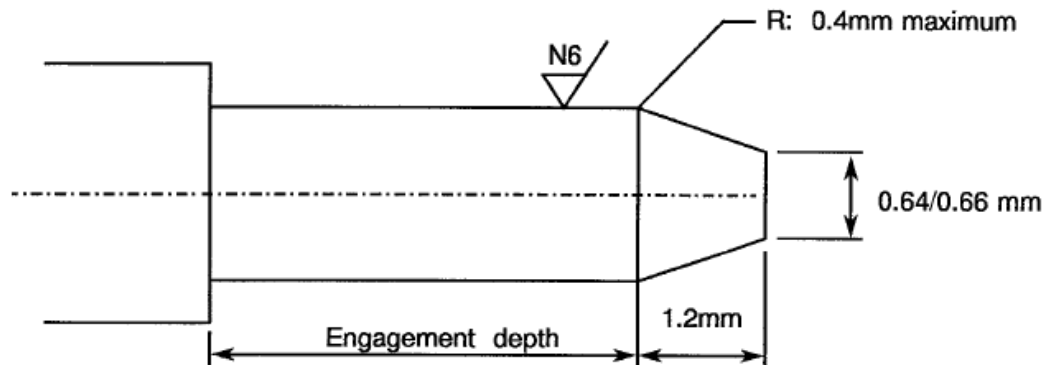
(b) Engagement Force Test (Maximum diameter Test Pin)

Steel test pin diameter : 1.372 / 1.376 mm.
Engagement depth : 3.0 / 3.5 mm.
Engagement force : 9 N.max.

(c) Separation Force Test (Minimum Diameter Test Pin)

Steel test pin diameter : 1.308 / 1.321 mm.
Separation depth : 3.0 / 3.5 mm.
Separation force : 0.56 N. min.

FIGURE 4 – TEST PIN CONFIGURATION




4.3.9 Contact Retention

The requirements for this test are specified in Section 9 of RADIALL Generic Specification RAD-GEN-CONN-001. The test conditions are given in technical data sheet. After testing, the connector interface dimensions shall be within the limits of Figure 2(a).

4.4 MATERIALS AND FINISHES

The material and finishes applicable are defined in the Technical Date Sheet of each connector.

Here below, the material and finishes generally used by Radiall, given for information.

	DETAIL SPECIFICATION		
	REF. : RAD-DET-CONN-015		
	Date: July 3 rd , 19	ED/REV: 2/B	PAGE : 18/ 23

4.4.1 Standard types (given for information)

- (a) Shell, coupling nut
Material : Stainless steel Electro-passivated
Or Brass , plating Ni2
- (b) Inserts
Material : PTFE
Polyetherimide
- (c) Center contact
Material : Beryllium copper
Plating : Gold 1.27 mini Type II of MIL-G-45204

4.4.2 Amagnetic type (given for information)

- (a) Shell, coupling nut
Material : Beryllium copper
Underplate: Copper 2.5 µm minimum
Plating : Gold 2.5µm Type II of MIL-G-45204
- (b) Inserts
Material : PTFE
- (c) Center contact
Material : Beryllium copper
Underplate: Copper 2.5 µm minimum
Plating : Gold 2.5µm Type II of MIL-G-45204

4.5 MARKING

4.5.1 General

The marking of all delivered to this specification shall be in accordance with the following paragraphs. Each component shall be marked in respect of:

- (a) The RADIALL Component Number
(b) Traceability Information


4.5.2 The RADIALL Component Number

The RADIALL Component Number shall be constituted and marked as follows :

R 143.227.000 X (Example of RADIALL Reference Number)

4.5.3 Traceability Information

Each component shall be marked in respect of traceability information in accordance with the requirements of ESA/SCC Basic Specification N° 21700.

	DETAIL SPECIFICATION		
	REF. : RAD-DET-CONN-015		
	Date: July 3 rd , 19	ED/REV: 2/B	PAGE : 19/ 23

4.5.4 Marking of Small Components

When it is considered that the component is too small to accommodate the marking as specified above, as much as space permits shall be marked. The order of precedence shall be as follows :

- Traceability information
- RADIALL component number

The marking information in full shall accompany each component in its primary package.

4.6 ELECTRICAL MEASUREMENTS

4.6.1 Electrical Measurements at Room Temperature

The parameters to be measured in respect of electrical characteristics are scheduled in Table 2. Unless otherwise specified, the measurements shall be performed at $T_{amb} = +22 \pm 3^{\circ}C$.

4.6.2 Electrical Measurements at High and Low Temperatures (Table 3)

Not applicable.

4.6.3 Circuits for Electrical Measurements

Not applicable.

4.7 BURN-IN TEST (TABLES 4 AND 5)

Not applicable.

Table 2 – ELECTRICAL MEASUREMENTS AT ROOM TEMPERATURE


N°	CHARACTERISTICS	SYMBOL	SPEC.AND/OR TEST METHOD	TEST CONDITIONS	LIMITS		UNIT
					MIN	MAX	
1	Insulation Resistance	R _i	RADIALL RAD-GEN-CONN-001 Para. 9.1	500 Vdc	5000	-	MΩ
2	Dielectric Withstanding Voltage Leakage Current	I _l	RADIALL RAD-GEN-CONN-001 Para. 9.2	Per Dielectric Withstanding Voltage in Technical Data Sheet	-	2.0	mA

Table 3 - ELECTRICAL MEASUREMENTS AT HIGH AND LOW TEMPERATURES (Not applicable)

Not applicable.

Tables 4 and 5 – BURN-IN TEST (Not applicable)

Not applicable.

	DETAIL SPECIFICATION	
	REF. : RAD-DET-CONN-015	
	Date: July 3 rd , 19	ED/REV: 2/B

4.8 ENVIRONMENTAL AND ENDURANCE TESTS

4.8.1 Measurements and Inspections on Completion of Environmental Tests

The parameters to be measured on completion of environmental tests are scheduled in Table 6 of this specification. Unless otherwise stated, the measurements shall be performed at $T_{amb} = +22 \pm 3^{\circ}C$.

4.8.2 Measurements and Inspections at Intermediate Points during Endurance Tests

Not applicable.

4.8.3 Measurements and Inspections on Completion of Endurance Tests

The parameters to be measured on completion of endurance tests are scheduled in Table 6 of this specification. Unless otherwise stated, the measurements shall be performed at $T_{amb} = +22 \pm 3^{\circ}C$.

4.8.4 Conditions for Operating Life Tests (Part of Endurance Testing)

Not applicable.

4.8.5 Electrical Circuits for Operating Life Tests

Not applicable.

4.8.6 Conditions for High Temperature Storage Test (Part of Endurance Testing)

The requirements for the high temperature storage test are specified in Section 9 of RADIALL Generic Specification RAD-GEN-CONN-001. The conditions for high temperature storage shall be maximum operating temperature as specified in technical data sheet.

Table 6 – MEASUREMENTS AND INSPECTIONS ON COMPLETION OF ENVIRONMENTAL AND ENDURANCE TESTS

No	RADIALL GENERIC SPÉCIFICATION RAD -GEN-CONN- 001		MEASUREMENTS AND INSPECTION			LIMITS		UNIT
	ENVIRONMENTAL & ENDURANCE TEST (1)	TEST METHOD AND CONDITIONS	IDENTIFICATION	CONDITIONS	SYMBOL	MIN.	MAX.	
01	Contact resistance	Para. 9.9	Contact resistance	Centre Contact Shell		- -	1.5 0.7	mΩ mΩ
02	Vibration	Para 9.10	Full Engagement Contact Resistance Visual Examination	Centre Contact		-	1.5	mΩ
03	Shock or Bump	Para 9.11	Full Engagement Contact Resistance Visual Examination	Centre Contact		-	1.5	mΩ
04	Rapid Change of Temperature	Para 9.12	Contact Resistance Dielect. Withstanding Volt. Leakage Current Visual Examination	Centre Contact Technical Data Sheet	 I ₁	- -	1.5 2.0	mΩ mA
05	Climatic sequence	Para 9.13	Dielect. Withstanding Volt. At Low Pressure (44 mb) Insulation Resistance Dielect. Withstanding Volt. Leakage Current External Visual Inspection	Table 1 (b) After Damp Heat (Within 1 to 24 Hrs recovery) : Table 2 Item 1 Technical Data Sheet RAD-GEN-CONN-001 para. 9.8	 R _i I ₁	No breakdown or flashover 5000 -		 MΩ mA
06	Cable Retention Force	Para's 9.14 and 4.3.4 of this spec.	Continuity					
07	Coupling Proof Torque	Para 9.4	Interface Dimensions Visual Examination			Figure 2(a)		
08	Marking / Unmating Forces	Para 9.5	Torque	Para. 4.3.5		-	22.6	N.cm
09	Seal Test	Para 9.7	Leakage External Visual Inspection	As Applicable RAD-GEN-CONN-001 para. 9.8		No Bubble		
10	Cabling and Crimping Capability	Para 9.15	Visual Examination Dimension Insulation Resistance Dielect. Withstanding Volt. Leakage Current	RAD-GEN-CONN-001 para. 9.15 RAD-GEN-CONN-001 para. 9.15 Table 2 Item 1 Technical Data sheet	 R _i I ₁	Fig.2(a) & technical data sheet 5000 -		 MΩ mA
11	VSWR or Reflection Coefficient	Para 9.16	VSWR	RAD-GEN-CONN-001 Para. 9.16		Technical Data Sheet		
12	Corona Level	Para 9.17	Corona	RAD-GEN-CONN-001 Para. 9.17		Table 1 (b)		

Notes:

- The tests in this table refer to either Chart IV or V and shall be used as applicable.

TABLE 6 – MEASUREMENTS AND INSPECTIONS ON COMPLETION OF ENVIRONMENTAL AND ENDURANCE TESTS

No	RADIALL GENERIC SPÉCIFICATION RAD -GEN-CONN- 001		MEASUREMENTS AND INSPECTION			LIMITS		UNIT
	ENVIRONMENTAL & ENDURANCE TEST (1)	TEST METHOD AND CONDITIONS	IDENTIFICATION	CONDITIONS	SYMBOL	MIN.	MAX.	
13	Endurance	Para's 9.18 and 4.3.6 of this spec	Mating /Unmating forces Contact resistance Visual examination	Para. 4.3.5 Centre contact Shell		- - -	22.6 2.0 2.0	N.cm mΩ mΩ
14	RF Insertion-Loss	Para.9.19	Insertion Loss	RAD-GEN-CONN-001 Para.9.19			Technical Data Sheet	
15	Corrosion	Para.9.20	Visual examination				No Exposure of Base Metal	
16	Residual Magnetism	Para.9.21	Magnetism					
17	Soldering Proof	Para.9.22	Interface Dimensions Mating / Unmating Forces Insulation resistance Dielect. Withstanding Volt. Leakage Current Contact Resistance External Visual Inspection	Para.4.3.5 Table 2 Item 1 Technical Data sheet Centre contact Shell	Ri I _l	- 5000 - - -	22.6 - 2.0 1.5 0.7	N.cm MΩ mA mΩ mΩ
18	RF Leakage	Para.9.23	Leakage				Figure 2(b)	
19	High Temperature Storage	Para.9.23 and 4.8.6 of this spec.	Mating / Unmating Forces Insulation resistance Dielect. Withstanding Volt. Leakage Current Contact retention Visual Examination Contact Resistance External Visual Inspection	Para.4.3.5 Table 2 Item 1 Technical Data sheet Para 4.3.9 - Centre contact Shell RAD-GEN-CONN-001 Para.9.8	Ri I _l	- 5000 - - - - -	22.6 - 2.0 Para. 4.3.9 - - 3.0 3.0	N.cm MΩ mA mΩ mΩ
20	External Visual Inspection	Para.9.8				-	-	
21	Permanence of Marking	Para.9.27				-	-	

Notes:

- The tests in this table refer to either Chart IV or V and shall be used as applicable.


	DETAIL SPECIFICATION	
	REF. : RAD-DET-CONN-015	
	Date: July 3 rd , 19	ED/REV: 2/B

Table 7 - LIST OF PART NUMBERS WITH APPLICABLE POWER HANDLING CATEGORY

See the detail specification RAD-LIS-CONN-001 paragraph 13